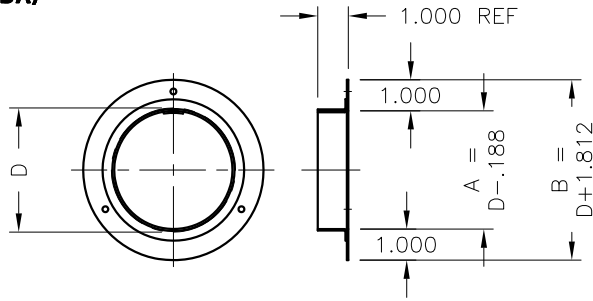


SURFACE MOUNTING ACCESSORIES - DRF, DPR, PR

DRF: DUCT RING FLANGE (FOR RCD/RCDA)

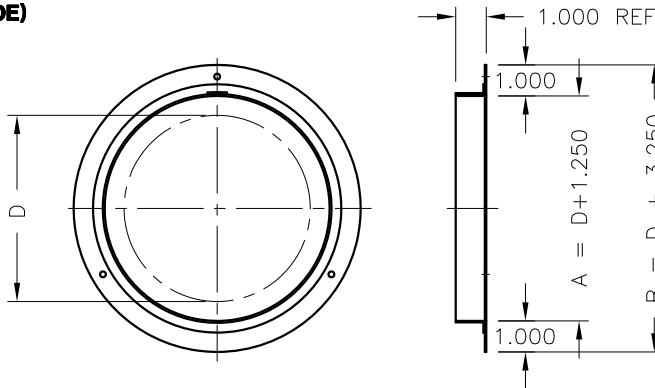
IMPERIAL UNITS (Inches)



NOM. DUCT	A	B
6	5 ³ / ₁₆	7 ¹³ / ₁₆
7	6 ¹³ / ₁₆	8 ¹³ / ₁₆
8	7 ³ / ₁₆	9 ³ / ₁₆
10	9 ³ / ₁₆	11 ³ / ₁₆
12	11 ¹³ / ₁₆	13 ¹³ / ₁₆
14	13 ¹³ / ₁₆	15 ¹³ / ₁₆
16	15 ³ / ₁₆	17 ³ / ₁₆
18	17 ¹³ / ₁₆	19 ¹³ / ₁₆
20	19 ³ / ₁₆	21 ³ / ₁₆
24	23 ¹³ / ₁₆	25 ¹³ / ₁₆
30	29 ¹³ / ₁₆	31 ¹³ / ₁₆
36	35 ¹³ / ₁₆	37 ¹³ / ₁₆

DPR: DUCT PLASTER RING (FOR RCDE)

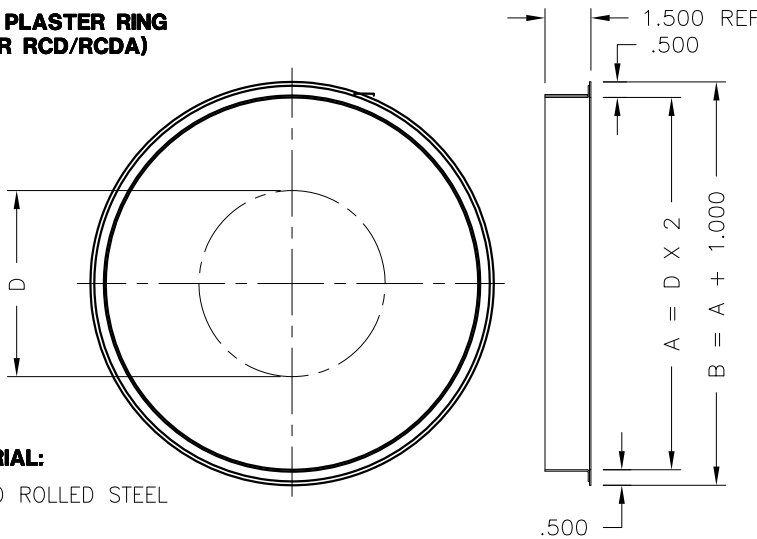
IMPERIAL UNITS (Inches)



NOM. DUCT	A	B
6	7 ¹ / ₄	9 ¹ / ₄
7	8 ¹ / ₄	10 ¹ / ₄
8	9 ¹ / ₄	11 ¹ / ₄
10	11 ¹ / ₄	13 ¹ / ₄
12	13 ¹ / ₄	15 ¹ / ₄
14	15 ¹ / ₄	17 ¹ / ₄
16	17 ¹ / ₄	19 ¹ / ₄
18	19 ¹ / ₄	21 ¹ / ₄
20	21 ¹ / ₄	23 ¹ / ₄
24	25 ¹ / ₄	27 ¹ / ₄
30	31 ¹ / ₄	33 ¹ / ₄
36	37 ¹ / ₄	39 ¹ / ₄

PR: PLASTER RING (FOR RCD/RCDA)

IMPERIAL UNITS (Inches)



NOM. DUCT	A	B
4	8	9
5	10	11
6	12	13
7	14	15
8	16	17
10	20	21
12	24	25
14	28	29
16	32	33
18	36	37

MATERIAL:

- COLD ROLLED STEEL

NOTES:

- D = NOM. DUCT
- FACTORY TOL. ± 1/32 (1)

FINISH:

- B17 BLACK (OPTIONAL FINISHES AVAILABLE)

ALL METRIC DIMENSIONS () ARE SOFT CONVERTED. IMPERIAL DIMENSIONS ARE CONVERTED TO METRIC AND ROUNDED TO THE NEAREST MILLIMETER.

PROJECT:		PRICE®
ENGINEER:		
CUSTOMER:		DRF, DPR, PR
SUBMITTAL DATE:		SERIES DUCT PLASTER RING FOR RCD
SPEC. SYMBOL:		258819
		2011/09/01